

**1** 덧셈과 뺄셈

**6~  
7쪽**

- |       |        |
|-------|--------|
| 1. 32 | 2. 50  |
| 3. 61 | 4. 80  |
| 5. 71 | 6. 96  |
| 7. 41 | 8. 83  |
| 9. 95 | 10. 73 |

- |        |         |
|--------|---------|
| 1. 53  | 2. 73   |
| 3. 93  | 4. 91   |
| 5. 121 | 6. 104  |
| 7. 66  | 8. 92   |
| 9. 121 | 10. 181 |

- |       |        |
|-------|--------|
| 1. 16 | 2. 27  |
| 3. 49 | 4. 46  |
| 5. 68 | 6. 78  |
| 7. 39 | 8. 57  |
| 9. 89 | 10. 78 |

- |       |        |
|-------|--------|
| 1. 14 | 2. 15  |
| 3. 37 | 4. 29  |
| 5. 19 | 6. 48  |
| 7. 19 | 8. 36  |
| 9. 28 | 10. 36 |

**8~  
9쪽**

- |         |         |
|---------|---------|
| 1. 359  | 2. 596  |
| 3. 847  | 4. 679  |
| 5. 597  | 6. 688  |
| 7. 957  | 8. 678  |
| 9. 949  | 10. 788 |
| 11. 598 | 12. 789 |
| 13. 999 | 14. 784 |
| 15. 946 | 16. 365 |
| 17. 579 | 18. 597 |
| 19. 869 | 20. 668 |
| 21. 887 | 22. 877 |
| 23. 674 | 24. 898 |
| 25. 797 | 26. 679 |

27. 967  
29. 996

28. 789

**10~  
11쪽**

- |         |         |
|---------|---------|
| 1. 372  | 2. 774  |
| 3. 845  | 4. 729  |
| 5. 753  | 6. 664  |
| 7. 649  | 8. 493  |
| 9. 715  | 10. 980 |
| 11. 929 | 12. 341 |
| 13. 792 | 14. 907 |
| 15. 893 | 16. 451 |
| 17. 672 | 18. 549 |
| 19. 883 | 20. 781 |
| 21. 806 | 22. 797 |
| 23. 580 | 24. 756 |
| 25. 793 | 26. 747 |
| 27. 982 | 28. 981 |
| 29. 968 |         |

**12~  
13쪽**

- |         |         |
|---------|---------|
| 1. 431  | 2. 740  |
| 3. 543  | 4. 733  |
| 5. 832  | 6. 625  |
| 7. 624  | 8. 912  |
| 9. 713  | 10. 930 |
| 11. 767 | 12. 910 |
| 13. 921 | 14. 841 |
| 15. 953 | 16. 513 |
| 17. 723 | 18. 701 |
| 19. 721 | 20. 918 |
| 21. 622 | 22. 910 |
| 23. 632 | 24. 912 |
| 25. 765 | 26. 814 |
| 27. 801 | 28. 863 |
| 29. 952 |         |

**14~  
15쪽**

- |         |         |
|---------|---------|
| 1. 1123 | 2. 1211 |
| 3. 1056 | 4. 1143 |
| 5. 1142 | 6. 1451 |

- |          |          |
|----------|----------|
| 7. 1021  | 8. 1510  |
| 9. 1361  | 10. 1214 |
| 11. 1330 | 12. 1137 |
| 13. 1615 | 14. 1133 |
| 15. 1321 | 16. 1043 |
| 17. 1440 | 18. 1021 |
| 19. 1301 | 20. 1137 |
| 21. 1450 | 22. 1342 |
| 23. 1253 | 24. 1446 |
| 25. 1332 | 26. 1222 |
| 27. 1520 | 28. 1707 |
| 29. 1532 |          |

- 16쪽**
- |         |          |
|---------|----------|
| 1. 495  | 2. 594   |
| 3. 849  | 4. 936   |
| 5. 1421 | 6. 588   |
| 7. 685  | 8. 983   |
| 9. 772  | 10. 1661 |

- 17쪽**
- |         |          |
|---------|----------|
| 1. 367  | 2. 738   |
| 3. 583  | 4. 683   |
| 5. 933  | 6. 565   |
| 7. 770  | 8. 941   |
| 9. 1620 | 10. 1525 |

- 18쪽**
- |         |          |
|---------|----------|
| 1. 369  | 2. 878   |
| 3. 684  | 4. 781   |
| 5. 709  | 6. 937   |
| 7. 743  | 8. 920   |
| 9. 1421 | 10. 1801 |

- 19쪽**
- |         |         |
|---------|---------|
| 1. 566  | 2. 559  |
| 3. 865  | 4. 817  |
| 5. 732  | 6. 913  |
| 7. 1340 | 8. 1341 |

- 20쪽**
- (위에서부터) 389, 764, 497, 656
  - (위에서부터) 742, 497, 561, 678
  - (위에서부터) 415, 849, 623, 641

- (위에서부터) 780, 881, 958, 703
- (위에서부터) 493, 850, 737, 606
- (위에서부터) 770, 934, 821, 883
- (위에서부터) 1202, 1281, 1433, 1050
- (위에서부터) 1125, 1803, 1241, 1687

- 21쪽**
- |       |       |       |
|-------|-------|-------|
| 1. >  | 2. >  | 3. >  |
| 4. <  | 5. <  | 6. <  |
| 7. <  | 8. >  | 9. >  |
| 10. > | 11. < | 12. < |
| 13. < | 14. > |       |

- 22~23쪽**
- |         |         |
|---------|---------|
| 1. 114  | 2. 226  |
| 3. 235  | 4. 366  |
| 5. 422  | 6. 151  |
| 7. 426  | 8. 252  |
| 9. 310  | 10. 771 |
| 11. 311 | 12. 403 |
| 13. 453 | 14. 354 |
| 15. 111 | 16. 223 |
| 17. 213 | 18. 391 |
| 19. 335 | 20. 311 |
| 21. 420 | 22. 741 |
| 23. 135 | 24. 216 |
| 25. 106 | 26. 542 |
| 27. 561 | 28. 145 |
| 29. 271 |         |

- 24~25쪽**
- |         |         |
|---------|---------|
| 1. 256  | 2. 119  |
| 3. 164  | 4. 230  |
| 5. 419  | 6. 347  |
| 7. 191  | 8. 292  |
| 9. 183  | 10. 571 |
| 11. 173 | 12. 512 |
| 13. 367 | 14. 284 |
| 15. 229 | 16. 108 |
| 17. 238 | 18. 331 |

- 19. 251                      20. 519
- 21. 304                      22. 455
- 23. 246                      24. 281
- 25. 149                      26. 162
- 27. 381                      28. 108
- 29. 394

**26~  
27쪽**

- 1. 299                      2. 19
- 3. 313                      4. 188
- 5. 178                      6. 258
- 7. 273                      8. 358
- 9. 388                      10. 167
- 11. 174                      12. 257
- 13. 295                      14. 177
- 15. 487                      16. 159
- 17. 238                      18. 289
- 19. 178                      20. 169
- 21. 189                      22. 409
- 23. 69                      24. 166
- 25. 58                      26. 332
- 27. 236                      28. 568
- 29. 448

**28쪽**

- 1. 234                      2. 263
- 3. 425                      4. 279
- 5. 265                      6. 323
- 7. 209                      8. 151
- 9. 441                      10. 277

**29쪽**

- 1. 341                      2. 324
- 3. 346                      4. 207
- 5. 317                      6. 93
- 7. 154                      8. 265
- 9. 364                      10. 189

**30쪽**

- 1. 127                      2. 160
- 3. 227                      4. 328
- 5. 415                      6. 275
- 7. 341                      8. 316
- 9. 373                      10. 135

**31쪽**

- 1. 411                      2. 235
- 3. 117                      4. 318
- 5. 181                      6. 561
- 7. 169                      8. 289

**32쪽**

- 1. (위에서부터) 344, 373, 113, 142
- 2. (위에서부터) 312, 107, 421, 216
- 3. (위에서부터) 432, 505, 308, 381
- 4. (위에서부터) 267, 44, 492, 269
- 5. (위에서부터) 177, 168, 288, 279
- 6. (위에서부터) 418, 368, 184, 134
- 7. (위에서부터) 177, 168, 288, 279
- 8. (위에서부터) 119, 225, 83, 189

**33쪽**

- 1. <                      2. >                      3. >
- 4. <                      5. <                      6. <
- 7. >                      8. >                      9. <
- 10. <                      11. >                      12. >
- 13. <                      14. >

**34쪽**

- 1. (위에서부터) 5, 2, 8
- 2. (위에서부터) 2, 5, 2
- 3. (위에서부터) 4, 3, 7
- 4. (위에서부터) 5, 7, 8
- 5. (위에서부터) 6, 3, 5
- 6. (위에서부터) 8, 3, 0
- 7. (위에서부터) 9, 6, 8
- 8. (위에서부터) 7, 8, 9
- 9. (위에서부터) 4, 8, 0
- 10. (위에서부터) 7, 8, 8

**35쪽**

- 1. (위에서부터) 7, 2, 3
- 2. (위에서부터) 4, 4, 4
- 3. (위에서부터) 8, 2, 4
- 4. (위에서부터) 3, 7, 2
- 5. (위에서부터) 3, 2, 0
- 6. (위에서부터) 1, 3, 1
- 7. (위에서부터) 8, 5, 1
- 8. (위에서부터) 0, 7, 3
- 9. (위에서부터) 9, 9, 9
- 10. (위에서부터) 4, 4, 6

- 36~** 1. 393                      2. 184  
**37쪽** 3. 862                      4. 379  
 5. 992                          6. 722  
 7. (위에서부터) 797, 459, 185, 153  
 8. >  
 9.  $754 + 296 = 1050$ , 1050권  
 10. 69m

**2** 평면도형

- 40~** 1. (○)                      2. ( )  
**41쪽** 3. (○)                      4. ( )  
 5. (○)

1. (○)                      2. (○)  
 3. ( )                      4. (○)  
 5. ( )

1. (○)                      2. ( )  
 3. (○)                      4. ( )  
 5. (○)

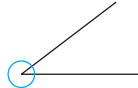
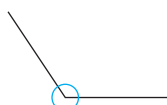
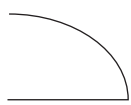
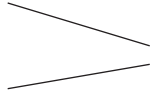

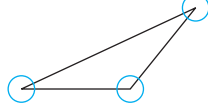
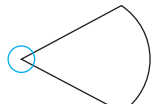
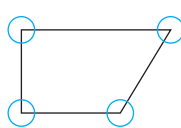
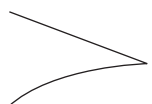
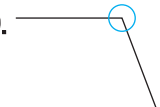
1. (○)                      2. ( )  
 3. (△)                      4. (○)  
 5. (△)

- 42쪽** 1. 선분  $\Gamma\Delta$  또는 선분  $\Delta\Gamma$   
 2. 선분  $\Delta\Gamma$  또는 선분  $\Gamma\Delta$   
 3. 선분  $\Gamma\Delta$  또는 선분  $\Delta\Gamma$   
 4. 선분  $\Delta\Gamma$  또는 선분  $\Gamma\Delta$   
 5. 선분  $\Delta\Gamma$  또는 선분  $\Gamma\Delta$   
 6. 선분  $\Delta\Gamma$  또는 선분  $\Gamma\Delta$   
 7. 선분  $\Delta\Gamma$  또는 선분  $\Gamma\Delta$   
 8. 선분  $\Delta\Gamma$  또는 선분  $\Gamma\Delta$

- 43쪽** 1. 반직선  $\Gamma\Delta$   
 2. 반직선  $\Delta\Gamma$   
 3. 반직선  $\Delta\Gamma$   
 4. 반직선  $\Delta\Gamma$

5. 반직선  $\Delta\Gamma$   
 6. 반직선  $\Delta\Gamma$   
 7. 반직선  $\Delta\Gamma$   
 8. 반직선  $\Delta\Gamma$

- 44쪽** 1. 직선  $\Gamma\Delta$  또는 직선  $\Delta\Gamma$   
 2. 직선  $\Delta\Gamma$  또는 직선  $\Gamma\Delta$   
 3. 직선  $\Delta\Gamma$  또는 직선  $\Gamma\Delta$   
 4. 직선  $\Delta\Gamma$  또는 직선  $\Gamma\Delta$   
 5. 직선  $\Delta\Gamma$  또는 직선  $\Gamma\Delta$   
 6. 직선  $\Delta\Gamma$  또는 직선  $\Gamma\Delta$   
 7. 직선  $\Delta\Gamma$  또는 직선  $\Gamma\Delta$   
 8. 직선  $\Delta\Gamma$  또는 직선  $\Gamma\Delta$

- 45쪽** 1.   
 2.   
 3.   
 4.   
 5.   
 6.   
 7.   
 8.   
 9.   
 10. 

46쪽

1. 점 ㄴ / 변 ㄴㄱ, 변 ㄴㄷ
2. 점 ㄷ / 변 ㄷㄴ, 변 ㄷㄹ
3. 점 ㅅ / 변 ㅅㅁ, 변 ㅅㅇ
4. 점 ㅅ / 변 ㅅㅁ, 변 ㅅㅇ
5. 점 ㅇ / 변 ㅇㅅ, 변 ㅇ스
6. 점 ㅊ / 변 ㅊ스, 변 ㅊㅋ
7. 점 ㅋ / 변 ㅋㅊ, 변 ㅋㅌ
8. 점 ㅍ / 변 ㅍㅌ, 변 ㅍㅎ

47쪽

1. 각 ㄱㄴㄷ 또는 각 ㄷㄴㄱ
2. 각 ㄹㅁㅂ 또는 각 ㅂㅁㄹ
3. 각 ㅅㅇㅇ 또는 각 ㅇㅅㅂ
4. 각 ㅇ스ㅊ 또는 각 ㅊ스ㅇ
5. 각 ㅁㅂㅅ 또는 각 ㅅㅂㅁ
6. 각 ㄴㄷㄹ 또는 각 ㄹㄷㄴ
7. 각 ㅊㅋㅌ 또는 각 ㅌㅋㅊ
8. 각 ㅌㅍㅎ 또는 각 ㅎㅍㅌ

48쪽

- 1.
- 2.
- 3.
- 4.
- 5.
- 6.
- 7.
- 8.

49쪽

- 1.
- 2.
- 3.
- 4.

- 5.
- 6.
- 7.
- 8.
- 9.
- 10.

50쪽

1. 각 ㄱㄴㄷ 또는 각 ㄷㄴㄱ
2. 각 ㄱㄴㅇ 또는 각 ㄴㄴㅇ
3. 각 ㄱㄴㄷ 또는 각 ㄷㄴㄱ
4. 각 ㄴㅂㄷ 또는 각 ㄷㅂㄴ
5. 각 ㄴㅁㄷ 또는 각 ㄷㅁㄴ, 각 ㄹㅁㄷ 또는 각 ㄷㅁㄹ
6. 각 ㄱㅂㅁ 또는 각 ㅁㅂㄱ, 각 ㄹㅂㅁ 또는 각 ㅁㅂㄹ

51쪽

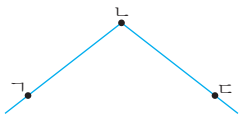
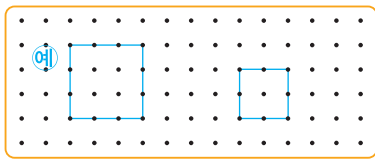
1. (○)
2. ( )
3. (○)
4. ( )
5. (○)
6. (○)
7. ( )
8. ( )
9. (○)
10. (○)

52쪽

1. (○)
2. ( )
3. (○)
4. ( )
5. (○)
6. ( )
7. ( )
8. (○)
9. (○)
10. ( )

53쪽

1. (○)
2. ( )
3. ( )
4. (○)
5. (○)
6. ( )
7. (○)
8. (○)
9. ( )
10. ( )

- 54~ 1. ( ) (○) ( )
- 55쪽 2. 반직선 스즈
3. 
4. 2개
5. 예) 한 각이 직각인 삼각형이 아닙니다.
6. 가, 다
7. 다
8. 6개
9. 

- 60쪽 1. 4                    2. 5
3. 6                    4. 8

- 61쪽 1. 3, 3                2. 4, 4
3. 5, 5                4. 7, 7
5. 9, 9

- 62쪽 1. 3                    2. 4
3. 5                    4. 6
5. 8

- 63쪽 1. 4, 4                2. 5, 5
3. 7, 7                4. 8, 8
5. 9, 9

**3 나눗셈**

- 58~ 1. 2                    2. 8
- 59쪽 3. 10                4. 14
5. 5                    6. 15
7. 30                8. 45
- 
1. 6                    2. 12
3. 18                4. 27
5. 18                6. 30
7. 36                8. 48
- 
1. 8                    2. 20
3. 28                4. 32
5. 8                    6. 24
7. 48                8. 56
- 
1. 21                2. 28
3. 56                4. 63
5. 18                6. 27
7. 63                8. 72

- 64쪽 1. 8 나누기 4는 2와 같습니다.
2. 10 나누기 2는 5와 같습니다.
3. 63 나누기 9는 7과 같습니다.
4. 40 나누기 5는 8과 같습니다.
5.  $15 \div 3 = 5$
6.  $32 \div 4 = 8$
7.  $42 \div 7 = 6$
8.  $72 \div 8 = 9$

- 65쪽 1. 2, 10 / 2            2. 2, 18 / 2
3. 3, 21 / 3            4. 6, 24 / 6
5. 8, 40 / 8

- 66쪽 1. 6, 2                    2. 2, 7
3. 5, 4                    4. 3, 8
5. 5 / 5, 9              6. 4 / 7, 4

7. 5, 3 / 3, 5    8. 9, 4 / 4, 9  
 9. 56, 7 / 56, 8  
 10. 35, 5 / 35, 7  
 11. 54, 9 / 54, 9, 6  
 12. 32, 4 / 32, 4, 8

- 67쪽**    1. 2, 4            2. 6, 3  
           3. 6, 5            4. 5, 3  
           5. 2 / 8, 16        6. 7 / 3, 21  
 7. 4, 24 / 6, 24    8. 9, 36 / 4, 36  
 9. 7, 42 / 6, 42    10. 6, 48 / 8, 48  
 11. 9, 63 / 7, 9, 63  
 12. 8, 72 / 9, 8, 72

- 68쪽**    1. 2, 4, 8 / 4, 2, 8 /  
           8, 2, 4 / 8, 4, 2  
 2. 3, 5, 15 / 5, 3, 15 /  
           15, 3, 5 / 15, 5, 3  
 3. 7, 3, 21 / 3, 7, 21 /  
           21, 7, 3 / 21, 3, 7  
 4. 5, 7, 35 / 7, 5, 35 /  
           35, 5, 7 / 35, 7, 5

- 69쪽**    1. 2                    2. 9  
           3. 6                    4. 7  
           5. 5                    6. 7  
           7. 5                    8. 4  
           9. 5                    10. 6  
           11. 8                    12. 5  
           13. 4                    14. 8

- 70쪽**    1. 6, 6                2. 5, 5  
           3. 5, 5                4. 3, 3  
           5. 5, 5                6. 4, 4  
           7. 3, 3                8. 4, 4  
           9. 3, 3                10. 6, 6  
           11. 6, 6                12. 9, 9

- 71쪽**    1. <            2. <            3. <  
           4. =            5. <            6. <  
           7. >            8. =            9. >  
           10. =            11. <            12. >  
           13. >            14. =

- 72~**    1. 2  
**73쪽**    2. 12 나누기 6은 2와 같습니다.  
           3. 5 / 5, 6            4. 8, 8  
           5. 9 / 3, 9 (또는 9, 3)  
           6. 5, 5 / 5            7. =  
           8.  $54 \div 9 = 6$ , 6쪽  
           9. 7마리

**4 곱셈**

- 76~**    1. 4                    2. 10  
**77쪽**    3. 12                  4. 18  
           5. 10                  6. 20  
           7. 25                  8. 35

- 1. 3                    2. 9  
 3. 21                  4. 24  
 5. 12                  6. 24  
 7. 42                  8. 54

- 1. 4                    2. 12  
 3. 24                  4. 36  
 5. 16                  6. 32  
 7. 40                  8. 64

- 1. 14                  2. 35  
 3. 49                  4. 56  
 5. 9                    6. 36  
 7. 54                  8. 81

- 78쪽**
- |        |        |
|--------|--------|
| 1. 60  | 2. 70  |
| 3. 30  | 4. 40  |
| 5. 40  | 6. 60  |
| 7. 50  | 8. 20  |
| 9. 80  | 10. 80 |
| 11. 90 | 12. 60 |
| 13. 80 | 14. 90 |

- 79쪽**
- |        |        |
|--------|--------|
| 1. 26  | 2. 84  |
| 3. 55  | 4. 96  |
| 5. 46  | 6. 82  |
| 7. 66  | 8. 62  |
| 9. 39  | 10. 86 |
| 11. 28 | 12. 99 |
| 13. 48 | 14. 84 |

- 80쪽**
- |           |            |
|-----------|------------|
| 1. 6, 36  | 2. 40, 48  |
| 3. 3, 93  | 4. 80, 88  |
| 5. 6, 46  | 6. 7, 77   |
| 7. 80, 82 | 8. 8, 68   |
| 9. 60, 63 | 10. 60, 66 |
| 11. 4, 24 | 12. 8, 88  |

- 81쪽**
- |        |        |
|--------|--------|
| 1. 28  | 2. 66  |
| 3. 99  | 4. 84  |
| 5. 99  | 6. 42  |
| 7. 84  | 8. 26  |
| 9. 48  | 10. 64 |
| 11. 66 | 12. 62 |
| 13. 96 | 14. 39 |
| 15. 86 |        |

- 82쪽**
- |         |         |
|---------|---------|
| 1. 128  | 2. 159  |
| 3. 126  | 4. 108  |
| 5. 126  | 6. 305  |
| 7. 168  | 8. 126  |
| 9. 144  | 10. 273 |
| 11. 186 | 12. 324 |
| 13. 219 | 14. 186 |

- 83쪽**
- |             |              |
|-------------|--------------|
| 1. 8, 168   | 2. 9, 129    |
| 3. 120, 128 | 4. 8, 328    |
| 5. 270, 279 | 6. 8, 208    |
| 7. 210, 216 | 8. 4, 184    |
| 9. 7, 287   | 10. 160, 166 |
| 11. 8, 728  | 12. 180, 189 |

- 84쪽**
- |         |         |
|---------|---------|
| 1. 248  | 2. 104  |
| 3. 164  | 4. 246  |
| 5. 288  | 6. 147  |
| 7. 162  | 8. 156  |
| 9. 124  | 10. 188 |
| 11. 248 | 12. 148 |
| 13. 455 | 14. 249 |
| 15. 146 |         |

- 85쪽**
- |        |        |
|--------|--------|
| 1. 52  | 2. 78  |
| 3. 76  | 4. 72  |
| 5. 80  | 6. 57  |
| 7. 72  | 8. 56  |
| 9. 85  | 10. 54 |
| 11. 75 | 12. 92 |
| 13. 75 | 14. 98 |



- 86쪽**
- |            |            |
|------------|------------|
| 1. 40, 76  | 2. 24, 84  |
| 3. 60, 70  | 4. 14, 94  |
| 5. 14, 84  | 6. 50, 70  |
| 7. 16, 96  | 8. 80, 92  |
| 9. 18, 78  | 10. 14, 74 |
| 11. 60, 81 | 12. 32, 72 |

- 87쪽**
- |        |        |
|--------|--------|
| 1. 50  | 2. 60  |
| 3. 87  | 4. 84  |
| 5. 72  | 6. 96  |
| 7. 96  | 8. 78  |
| 9. 90  | 10. 95 |
| 11. 91 | 12. 52 |
| 13. 68 | 14. 58 |
| 15. 54 |        |

- 88쪽**
- |         |         |
|---------|---------|
| 1. 111  | 2. 108  |
| 3. 125  | 4. 184  |
| 5. 371  | 6. 261  |
| 7. 150  | 8. 114  |
| 9. 360  | 10. 177 |
| 11. 504 | 12. 252 |
| 13. 522 | 14. 470 |

- 89쪽**
- |             |              |
|-------------|--------------|
| 1. 20, 100  | 2. 42, 102   |
| 3. 150, 160 | 4. 12, 192   |
| 5. 16, 416  | 6. 160, 196  |
| 7. 12, 132  | 8. 560, 581  |
| 9. 36, 126  | 10. 250, 270 |
| 11. 24, 234 | 12. 180, 192 |

- 90쪽**
- |         |         |
|---------|---------|
| 1. 105  | 2. 130  |
| 3. 172  | 4. 312  |
| 5. 595  | 6. 102  |
| 7. 438  | 8. 310  |
| 9. 744  | 10. 684 |
| 11. 108 | 12. 240 |
| 13. 378 | 14. 258 |
| 15. 198 |         |

- 91쪽**
- |        |         |
|--------|---------|
| 1. 80  | 2. 210  |
| 3. 88  | 4. 64   |
| 5. 168 | 6. 405  |
| 7. 72  | 8. 92   |
| 9. 212 | 10. 534 |

- 92쪽**
- |        |        |
|--------|--------|
| 1. 80  | 2. 42  |
| 3. 126 | 4. 164 |
| 5. 65  | 6. 72  |
| 7. 156 | 8. 444 |

- 93쪽**
- |        |         |
|--------|---------|
| 1. 60  | 2. 360  |
| 3. 63  | 4. 88   |
| 5. 186 | 6. 219  |
| 7. 56  | 8. 98   |
| 9. 325 | 10. 792 |

- 94쪽**
- |       |       |       |
|-------|-------|-------|
| 1. <  | 2. <  | 3. <  |
| 4. >  | 5. >  | 6. >  |
| 7. >  | 8. >  | 9. <  |
| 10. < | 11. < | 12. > |
| 13. > | 14. < |       |

- 95쪽**
- |                  |         |
|------------------|---------|
| 1. 3             | 2. 4    |
| 3. 2             | 4. 2, 2 |
| 5. (위에서부터) 3, 9  |         |
| 6. 4             | 7. 6    |
| 8. (위에서부터) 6, 9  |         |
| 9. (위에서부터) 2, 8  |         |
| 10. 7            |         |
| 11. (위에서부터) 3, 2 |         |
| 12. (위에서부터) 4, 6 |         |
| 13. 6            |         |
| 14. (위에서부터) 5, 4 |         |
| 15. (위에서부터) 4, 1 |         |

96~  
97쪽

1. (1) 80, 84 (2) 21, 51
2. 10
3. (1) 44 (2) 106
4. (1) 150 (2) 112
5. (1) 78 (2) 304
6. <
7. (위에서부터) 8, 9
8.  $20 \times 6 = 120$ , 120쪽
9. 60개

**5** 길이와 시간

100~  
101쪽

1. 2m, 2 미터
2. 5m, 5 미터
3. 1m 40cm,  
1 미터 40 센티미터
4. 8m 63cm,  
8 미터 63 센티미터

- 
- |          |          |
|----------|----------|
| 1. 100   | 2. 300   |
| 3. 7     | 4. 9     |
| 5. 210   | 6. 535   |
| 7. 6, 80 | 8. 9, 24 |

- 
- |          |           |
|----------|-----------|
| 1. 2, 40 | 2. 9, 15  |
| 3. 4, 56 | 4. 11, 23 |

- 
- |          |          |
|----------|----------|
| 1. 60    | 2. 120   |
| 3. 3     | 4. 80    |
| 5. 195   | 6. 2, 10 |
| 7. 4, 30 | 8. 5, 50 |

102쪽

1. 4mm, 4 밀리미터
2. 7mm, 7 밀리미터
3. 2cm 5mm,  
2 센티미터 5 밀리미터
4. 6cm 3mm,  
6 센티미터 3 밀리미터
5. 9cm 8mm,  
9 센티미터 8 밀리미터

103쪽

- |           |           |
|-----------|-----------|
| 1. 1, 8   | 2. 4, 2   |
| 3. 7, 5   | 4. 10, 6  |
| 5. 2, 7   | 6. 5, 9   |
| 7. 14, 3  | 8. 5, 1   |
| 9. 8, 3   | 10. 9, 4  |
| 11. 13, 9 | 12. 2, 5  |
| 13. 10, 8 | 14. 17, 6 |

104쪽

- |         |         |
|---------|---------|
| 1. 10   | 2. 30   |
| 3. 50   | 4. 80   |
| 5. 100  | 6. 140  |
| 7. 210  | 8. 24   |
| 9. 67   | 10. 95  |
| 11. 131 | 12. 272 |
| 13. 358 | 14. 483 |

105쪽

- |           |           |
|-----------|-----------|
| 1. 2      | 2. 4      |
| 3. 7      | 4. 11     |
| 5. 18     | 6. 24     |
| 7. 36     | 8. 1, 9   |
| 9. 3, 5   | 10. 8, 2  |
| 11. 14, 3 | 12. 26, 4 |
| 13. 37, 9 | 14. 41, 6 |

- 106쪽** 1. 21 / 4, 5      2. 32 / 5, 3  
3. 19 / 3, 8      4. 25 / 6, 2

- 107쪽** 1. 2km, 2 킬로미터  
2. 5km, 5 킬로미터  
3. 3km 100m,  
3 킬로미터 100 미터  
4. 6km 907m,  
6 킬로미터 907 미터  
5. 8km 640m,  
8 킬로미터 640 미터

- 108쪽** 1. 1, 500      2. 4, 700  
3. 8, 910      4. 10, 602  
5. 5, 300      6. 7, 80  
7. 9, 250      8. 23, 407

- 109쪽** 1. 1000      2. 2000  
3. 5000      4. 7000  
5. 8000      6. 11000  
7. 20000      8. 1700  
9. 3500      10. 6180  
11. 8020      12. 9463  
13. 13009      14. 24075

- 110쪽** 1. 3      2. 4  
3. 6      4. 9  
5. 12      6. 25  
7. 31      8. 2, 100  
9. 5, 600      10. 7, 92  
11. 8, 375      12. 18, 4  
13. 27, 60      14. 35, 200

- 111쪽** 1. km      2. cm  
3. m      4. cm  
5. km      6. m  
7. km      8. cm  
9. m      10. m  
11. km      12. cm  
13. km      14. m

- 112쪽** 1. m      2. mm  
3. cm      4. m  
5. mm      6. cm  
7. m      8. mm  
9. m      10. cm  
11. mm      12. cm  
13. cm      14. m

- 113쪽** 1. (1) 8 mm  
(2) 3m 70cm  
2. (1) 2km 750m  
(2) 6mm  
3. (1) 5km 200m  
(2) 4m 30cm  
4. (1) 17cm 5mm  
(2) 200m  
5. (1) 3km 100m  
(2) 8cm 5mm  
6. (1) 7mm  
(2) 20m 50cm

- 114쪽** 1. 1, 25, 40      2. 6, 5, 20  
3. 9, 10, 54      4. 12, 38, 15  
5. 2, 45, 28      6. 5, 22, 50  
7. 7, 16, 33      8. 10, 41, 9

- 115쪽** 1. 2, 30, 16      2. 8, 25, 49  
3. 6, 41, 7      4. 3, 13, 52  
5. 11, 2, 35      6. 5, 39, 18  
7. 10, 28, 46      8. 7, 55, 32  
9. 9, 17, 24      10. 12, 43, 51

**116쪽**

- |         |         |
|---------|---------|
| 1. 60   | 2. 120  |
| 3. 240  | 4. 420  |
| 5. 70   | 6. 110  |
| 7. 140  | 8. 220  |
| 9. 305  | 10. 155 |
| 11. 270 | 12. 375 |
| 13. 475 | 14. 505 |

**117쪽**

- |           |           |
|-----------|-----------|
| 1. 3      | 2. 5      |
| 3. 6      | 4. 8      |
| 5. 1, 30  | 6. 1, 45  |
| 7. 2, 5   | 8. 2, 30  |
| 9. 4, 30  | 10. 3, 15 |
| 11. 5, 10 | 12. 6, 25 |
| 13. 7, 20 | 14. 8, 35 |

**118~  
119쪽**

- |                      |                   |
|----------------------|-------------------|
| 1. 1, 35             | 2. 3, 50          |
| 3. 7, 30             | 4. 9, 58          |
| 5. 14, 58            | 6. $1/3, 5$       |
| 7. $1/5, 15$         | 8. $1/9, 10$      |
| 9. $1/12, 16$        | 10. $1/19, 11$    |
| 11. 2, 18, 35        | 12. 4, 39, 45     |
| 13. 4, 55, 45        | 14. 7, 44, 56     |
| 15. 11, 58, 58       | 16. $1/1, 31, 15$ |
| 17. $1/5, 46, 25$    |                   |
| 18. $1/8, 20, 40$    |                   |
| 19. $1/12, 25, 42$   |                   |
| 20. 1, $1/19, 14, 7$ |                   |

**120~  
121쪽**

- |               |                |
|---------------|----------------|
| 1. 2, 55      | 2. 4, 55       |
| 3. 3, 56      | 4. 8, 34       |
| 5. 5, 45      | 6. $1/4, 10$   |
| 7. $1/6, 8$   | 8. $1/5, 11$   |
| 9. $1/8, 27$  | 10. $1/11, 12$ |
| 11. 1, 15, 30 | 12. 3, 40, 48  |
| 13. 6, 53, 27 | 14. 8, 54, 50  |

- |                      |
|----------------------|
| 15. 10, 59, 48       |
| 16. $1/2, 56, 5$     |
| 17. $1/5, 46, 10$    |
| 18. $1/6, 20, 20$    |
| 19. $1/9, 12, 59$    |
| 20. 1, $1/12, 17, 4$ |

**122~  
123쪽**

- |                           |                  |
|---------------------------|------------------|
| 1. 2, 20                  | 2. 4, 30         |
| 3. 4, 40                  | 4. 3, 18         |
| 5. 7, 26                  | 6. 2, $60/2, 55$ |
| 7. 4, $60/4, 40$          | 8. 8, $60/5, 46$ |
| 9. 9, $60/3, 48$          |                  |
| 10. 19, $60/11, 12$       |                  |
| 11. 1, 10, 5              | 12. 2, 30, 11    |
| 13. 2, 15, 15             | 14. 2, 22, 19    |
| 15. 7, 18, 21             |                  |
| 16. 34, $60/3, 19, 40$    |                  |
| 17. 24, $60/5, 20, 35$    |                  |
| 18. 6, $60/4, 42, 15$     |                  |
| 19. 7, $60/2, 56, 8$      |                  |
| 20. 9, 60, $60/5, 53, 53$ |                  |

**124~  
125쪽**

- |                            |                  |
|----------------------------|------------------|
| 1. 2, 35                   | 2. 4, 15         |
| 3. 5, 22                   | 4. 5, 18         |
| 5. 5, 31                   | 6. 2, $60/2, 20$ |
| 7. 4, $60/4, 35$           | 8. 6, $60/4, 55$ |
| 9. 8, $60/4, 43$           |                  |
| 10. 11, $60/4, 26$         |                  |
| 11. 2, 25, 25              | 12. 5, 5, 15     |
| 13. 5, 15, 12              | 14. 2, 14, 26    |
| 15. 7, 17, 27              |                  |
| 16. 14, $60/4, 4, 55$      |                  |
| 17. 34, $60/7, 12, 50$     |                  |
| 18. 7, $60/5, 48, 16$      |                  |
| 19. 9, $60/3, 53, 15$      |                  |
| 20. 11, 60, $60/3, 55, 45$ |                  |

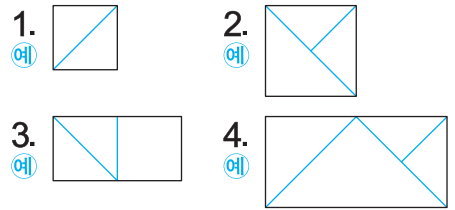
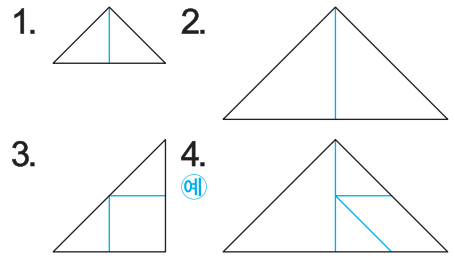
- 126~** 1. 2, 15      2. 2, 25  
**127쪽** 3. 3, 9      4. 4, 18  
 5. 7, 17      6. 1, 60 / 30  
 7. 4, 60 / 1, 45    8. 6, 60 / 4, 47  
 9. 9, 60 / 4, 54  
 10. 11, 60 / 5, 51  
 11. 1, 5, 5      12. 2, 25, 20  
 13. 5, 17, 18    14. 3, 34, 13  
 15. 6, 14, 7  
 16. 24, 60 / 3, 14, 45  
 17. 29, 60 / 3, 15, 55  
 18. 7, 60 / 3, 48, 15  
 19. 9, 60 / 2, 55, 2  
 20. 11, 60, 60 / 5, 46, 16

- 128~** 1. 3cm 4mm.  
**129쪽** 3 센티미터 4 밀리미터  
 2. (1) 8, 10, 40 (2) 10, 27, 35  
 3. (1) 41 (2) 9, 5  
 4. (1) 1700 (2) 8, 20  
 5. mm  
 6. (1) 100 (2) 2, 15  
 7. (1) 8, 55 (2) 5, 20, 5  
 8. 2분 10초 - 1분 38초 = 32초,  
 32초  
 9. 1시간 23분

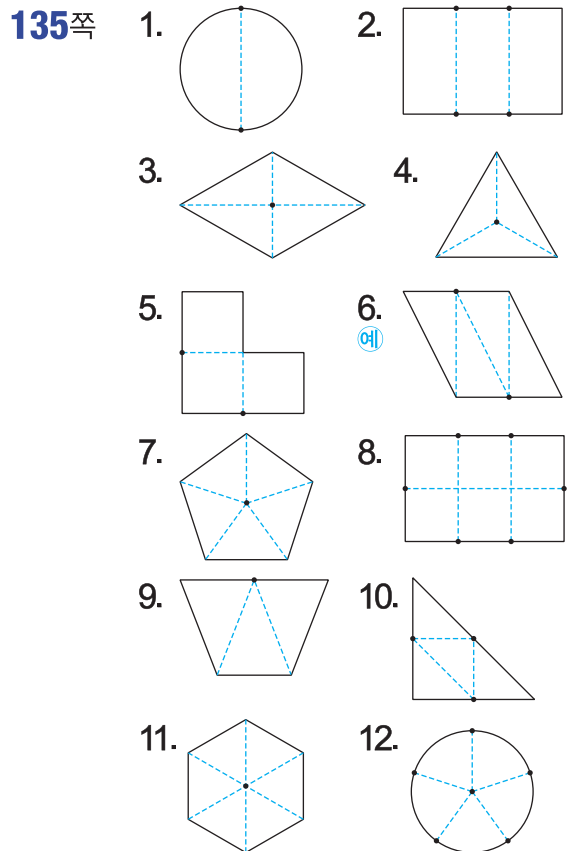
**6** 분수와 소수

- 132~** 1. 2      2. 4      3. 2  
**133쪽** 4. 3      5. 6

1. ( ) ( ) ( ) (○)  
 2. ( ) ( ) ( ) (○)  
 3. ( ) (○) ( ) ( )  
 4. ( ) ( ) (○) ( )



- 134쪽** 1. 가, 다, 마      2. 나, 다, 라  
 3. 가, 라, 마      4. 나, 다, 마



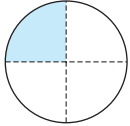
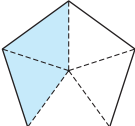
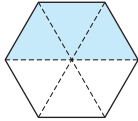
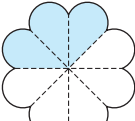
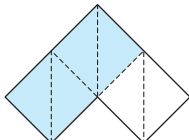
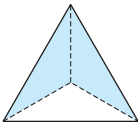
- 136쪽** 1. 2, 1      2. 3, 1  
 3. 4, 2      4. 5, 3  
 5. 6, 2

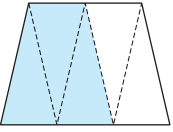
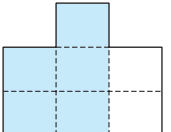
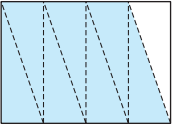
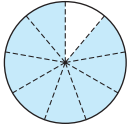
- 137쪽** 1. 3, 1      2. 3, 2  
 3. 4, 1      4. 6, 5  
 5. 8, 3      6. 9, 7

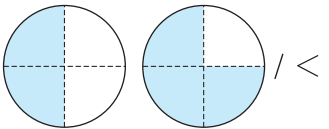
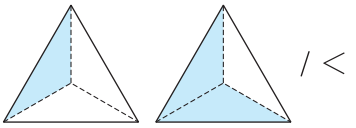
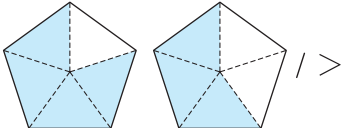
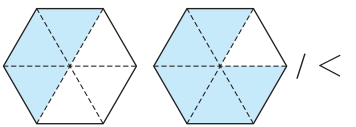
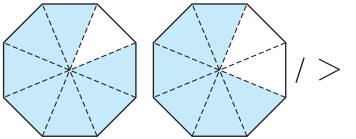
- 138쪽** 1. 4, 1,  $\frac{1}{4}$ , 4분의 1  
 2. 6, 2,  $\frac{2}{6}$ , 6분의 2  
 3. 5, 3,  $\frac{3}{5}$ , 5분의 3  
 4. 6, 5,  $\frac{5}{6}$ , 6분의 5  
 5. 8, 4,  $\frac{4}{8}$ , 8분의 4

- 139쪽** 1.  $\frac{1}{3}$ , 3분의 1    2.  $\frac{2}{4}$ , 4분의 2  
 3.  $\frac{4}{5}$ , 5분의 4    4.  $\frac{3}{6}$ , 6분의 3  
 5.  $\frac{5}{8}$ , 8분의 5

- 140쪽** 1.  $\frac{2}{3}$       2.  $\frac{1}{4}$   
 3.  $\frac{2}{5}$       4.  $\frac{3}{6}$   
 5.  $\frac{2}{4}$ ,  $\frac{2}{4}$     6.  $\frac{5}{6}$ ,  $\frac{1}{6}$   
 7.  $\frac{4}{8}$ ,  $\frac{4}{8}$     8.  $\frac{2}{9}$ ,  $\frac{7}{9}$   
 9.  $\frac{4}{5}$ ,  $\frac{1}{5}$     10.  $\frac{3}{8}$ ,  $\frac{5}{8}$   
 11.  $\frac{5}{7}$ ,  $\frac{2}{7}$     12.  $\frac{7}{10}$ ,  $\frac{3}{10}$

- 141쪽** 1.  예    2.  예  
 3.  예    4.  예  
 5.  예    6.  예

7.  예    8.  예  
 9.  예    10.  예

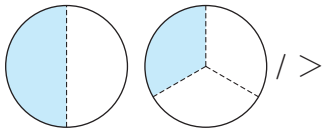
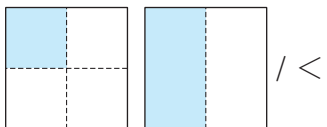
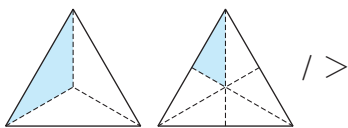
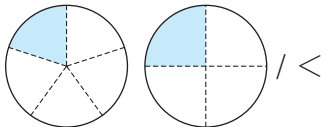
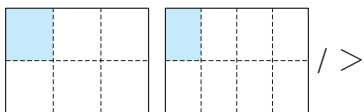
- 142쪽** 1. 예  / <  
 2. 예  / <  
 3. 예  / >  
 4. 예  / <  
 5. 예  / >

- 143쪽** 1. >      2. <      3. <  
 4. >      5. >      6. >  
 7. <      8. >      9. <  
 10. <      11. >      12. >  
 13. >      14. <

- 144쪽** 1.  $\frac{4}{5}$ 에 ○표,  $\frac{1}{5}$ 에 △표  
 2.  $\frac{5}{6}$ 에 ○표,  $\frac{3}{6}$ 에 △표  
 3.  $\frac{7}{8}$ 에 ○표,  $\frac{1}{8}$ 에 △표  
 4.  $\frac{8}{9}$ 에 ○표,  $\frac{2}{9}$ 에 △표

5.  $\frac{7}{11}$ 에 ○표,  $\frac{3}{11}$ 에 △표
6.  $\frac{10}{15}$ 에 ○표,  $\frac{1}{15}$ 에 △표
7.  $\frac{6}{7}$ 에 ○표,  $\frac{3}{7}$ 에 △표
8.  $\frac{3}{4}$ 에 ○표,  $\frac{1}{4}$ 에 △표
9.  $\frac{9}{10}$ 에 ○표,  $\frac{5}{10}$ 에 △표
10.  $\frac{8}{12}$ 에 ○표,  $\frac{4}{12}$ 에 △표
11.  $\frac{14}{17}$ 에 ○표,  $\frac{3}{17}$ 에 △표
12.  $\frac{11}{20}$ 에 ○표,  $\frac{4}{20}$ 에 △표

145쪽

1. 예 
2. 예 
3. 예 
4. 예 
5. 예 

146쪽

- |       |       |       |
|-------|-------|-------|
| 1. >  | 2. >  | 3. <  |
| 4. <  | 5. <  | 6. >  |
| 7. <  | 8. >  | 9. >  |
| 10. < | 11. > | 12. > |
| 13. > | 14. < |       |

147쪽

1.  $\frac{1}{2}$ 에 ○표,  $\frac{1}{4}$ 에 △표
2.  $\frac{1}{5}$ 에 ○표,  $\frac{1}{8}$ 에 △표

3.  $\frac{1}{4}$ 에 ○표,  $\frac{1}{9}$ 에 △표
4.  $\frac{1}{2}$ 에 ○표,  $\frac{1}{10}$ 에 △표
5.  $\frac{1}{7}$ 에 ○표,  $\frac{1}{11}$ 에 △표
6.  $\frac{1}{3}$ 에 ○표,  $\frac{1}{9}$ 에 △표
7.  $\frac{1}{4}$ 에 ○표,  $\frac{1}{12}$ 에 △표
8.  $\frac{1}{7}$ 에 ○표,  $\frac{1}{21}$ 에 △표
9.  $\frac{1}{3}$ 에 ○표,  $\frac{1}{15}$ 에 △표
10.  $\frac{1}{11}$ 에 ○표,  $\frac{1}{55}$ 에 △표
11.  $\frac{1}{10}$ 에 ○표,  $\frac{1}{30}$ 에 △표
12.  $\frac{1}{25}$ 에 ○표,  $\frac{1}{100}$ 에 △표

148쪽

- |               |               |
|---------------|---------------|
| 1. 0.2, 영 점 이 | 2. 0.3, 영 점 삼 |
| 3. 0.5, 영 점 오 | 4. 0.7, 영 점 칠 |
| 5. 4, 영 점 사   | 6. 8, 영 점 팔   |
| 7. 6, 0.6     | 8. 9, 0.9     |

149쪽

- |                         |                         |
|-------------------------|-------------------------|
| 1. $\frac{1}{10}$ , 0.1 | 2. $\frac{3}{10}$ , 0.3 |
| 3. $\frac{2}{10}$ , 0.2 | 4. $\frac{6}{10}$ , 0.6 |
| 5. $\frac{4}{10}$ , 0.4 | 6. $\frac{5}{10}$ , 0.5 |
| 7. $\frac{7}{10}$ , 0.7 | 8. $\frac{9}{10}$ , 0.9 |

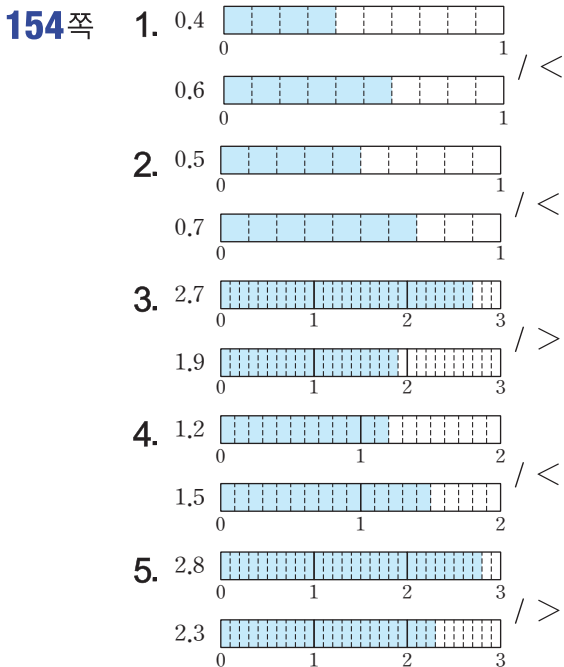
150쪽

- |                             |                             |
|-----------------------------|-----------------------------|
| 1. 0.2 (또는 $\frac{2}{10}$ ) | 2. 0.4 (또는 $\frac{4}{10}$ ) |
| 3. 0.5 (또는 $\frac{5}{10}$ ) | 4. 3                        |
| 5. 7                        | 6. 0.1 (또는 $\frac{1}{10}$ ) |
| 7. 0.1 (또는 $\frac{1}{10}$ ) | 8. 0.1                      |
| 9. 0.3                      | 10. 0.6                     |
| 11. 0.8                     | 12. $\frac{5}{10}$          |
| 13. $\frac{9}{10}$          | 14. $\frac{7}{10}$          |

- 151쪽** 1. 1.8, 일 점 팔 2. 2.3, 이 점 삼  
 3. 3.7, 삼 점 칠 4. 5.1, 오 점 일  
 5. 6.4, 육 점 사 6. 7.2, 칠 점 이  
 7. 8.9, 팔 점 구 8. 9.5, 구 점 오

- 152쪽** 1. 1.9 (또는  $\frac{19}{10}$ ) 2. 3.6 (또는  $\frac{36}{10}$ )  
 3. 5.4 (또는  $\frac{54}{10}$ ) 4. 62  
 5. 85 6. 0.1 (또는  $\frac{1}{10}$ )  
 7. 0.1 (또는  $\frac{1}{10}$ ) 8. 27  
 9. 48 10. 73  
 11. 5.9 12. 9.4  
 13. 0.1 (또는  $\frac{1}{10}$ ) 14. 0.1 (또는  $\frac{1}{10}$ )

- 153쪽** 1. 1.2 2. 3.8  
 3. 4.1 4. 6.7  
 5. 7.4 6. 8.5  
 7. 9.3 8. 2.6  
 9. 4.5 10. 5.9  
 11. 6.1 12. 9.2  
 13. 7.8 14. 8.7

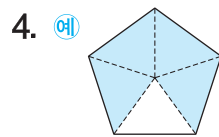


- 155쪽** 1. < 2. > 3. <  
 4. > 5. < 6. >  
 7. > 8. < 9. >  
 10. < 11. < 12. <  
 13. > 14. <

- 156쪽** 1. 0.5에 ○표, 0.1에 △표  
 2. 1.2에 ○표, 0.7에 △표  
 3. 2.4에 ○표, 1.5에 △표  
 4. 3.7에 ○표, 3.3에 △표  
 5. 6.2에 ○표, 4.4에 △표  
 6. 8.5에 ○표, 7.2에 △표  
 7. 4.1에 ○표, 2.7에 △표  
 8. 1.9에 ○표, 0.6에 △표  
 9. 9.8에 ○표, 9.1에 △표  
 10. 7.7에 ○표, 5.2에 △표  
 11. 5.5에 ○표, 4.6에 △표  
 12. 8.9에 ○표, 8.1에 △표  
 13. 9.3에 ○표, 7.6에 △표  
 14. 8.2에 ○표, 3.9에 △표

- 157쪽** 1. 1, 2, 3에 ○표  
 2. 6, 7, 8, 9에 ○표  
 3. 7, 8, 9에 ○표  
 4. 5, 6, 7, 8, 9에 ○표  
 5. 1, 2, 3, 4, 5에 ○표  
 6. 7, 8, 9에 ○표  
 7. 1, 2, 3, 4에 ○표

- 158~159쪽** 1. 5, 2 2. 3, 1  
 3.  $\frac{5}{8}$ , 8분의 5



5. 0.6, 영 점 육  
 6. (1) > (2) >  
 7. (1) 0.8 (2) 6.7  
 8. (1) > (2) <  
 9.  $\frac{1}{2}$ 에 ○표,  $\frac{1}{10}$ 에 △표  
 10. 9.5cm